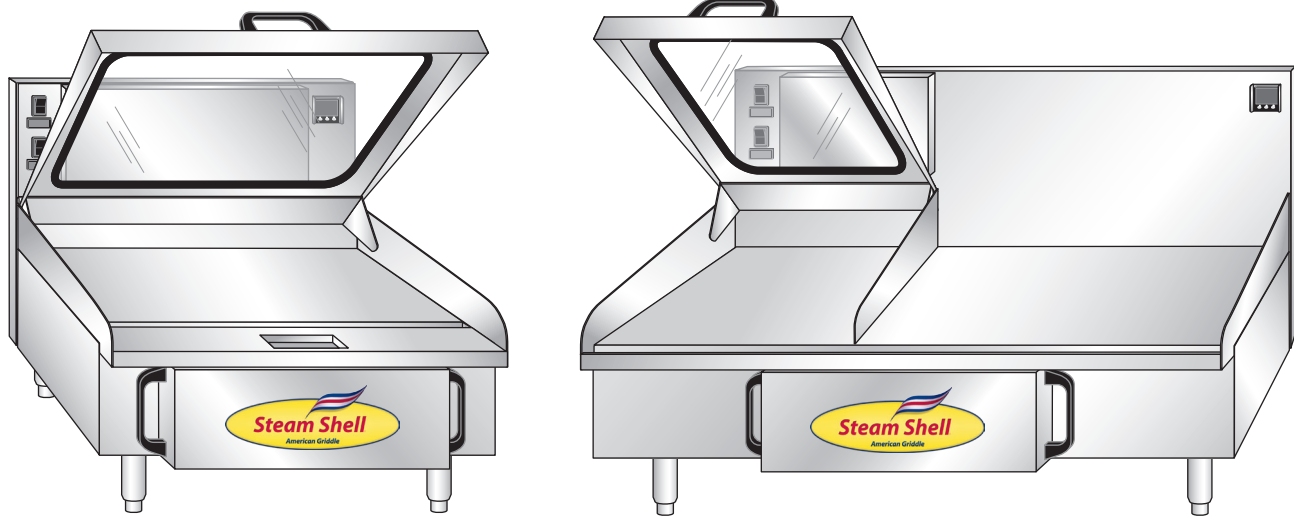




ILLUSTRATED PARTS LIST



2 FT AND 3 FT STEAM GRIDDLES

For additional information on Thermodyne products,
or to locate an authorized parts and service provider in your area,
visit our website at www.tdyne.com

Thermodyne Foodservice Products, Inc.
4416 New Haven Avenue
Fort Wayne, IN 46803

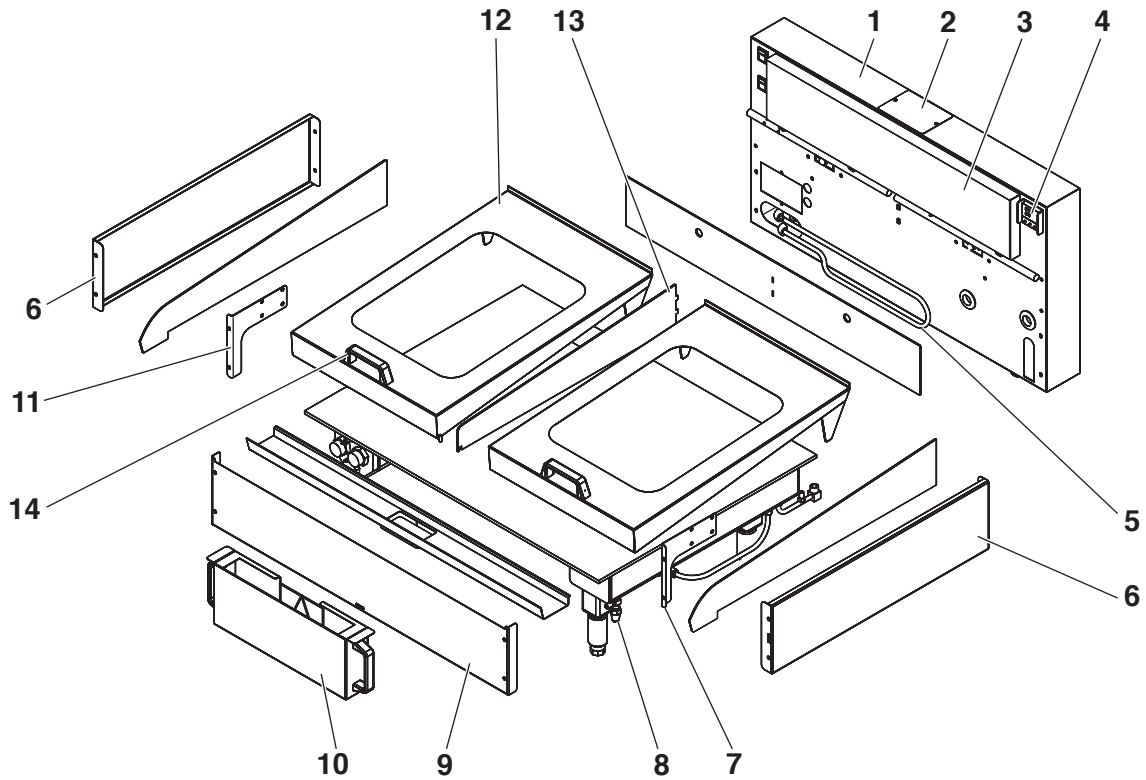
260-428-2685
800-428-6550
www.tdyne.com

TABLE OF CONTENTS

3-FOOT GRIDDLE EXPLODED TOP VIEW	3
3-FOOT GRIDDLE POWER HEAD	4
2-FOOT GRIDDLE EXPLODED TOP VIEW	5
2-FOOT GRIDDLE POWER HEAD	6
2- & 3-FOOT GRIDDLE BOTTOM	7
STEAM GENERATOR ASSEMBLY	8
WATER FILL ASSEMBLY	9
PURGE VALVES & PRESSURE SWITCHES.....	10
BACK PANEL	11

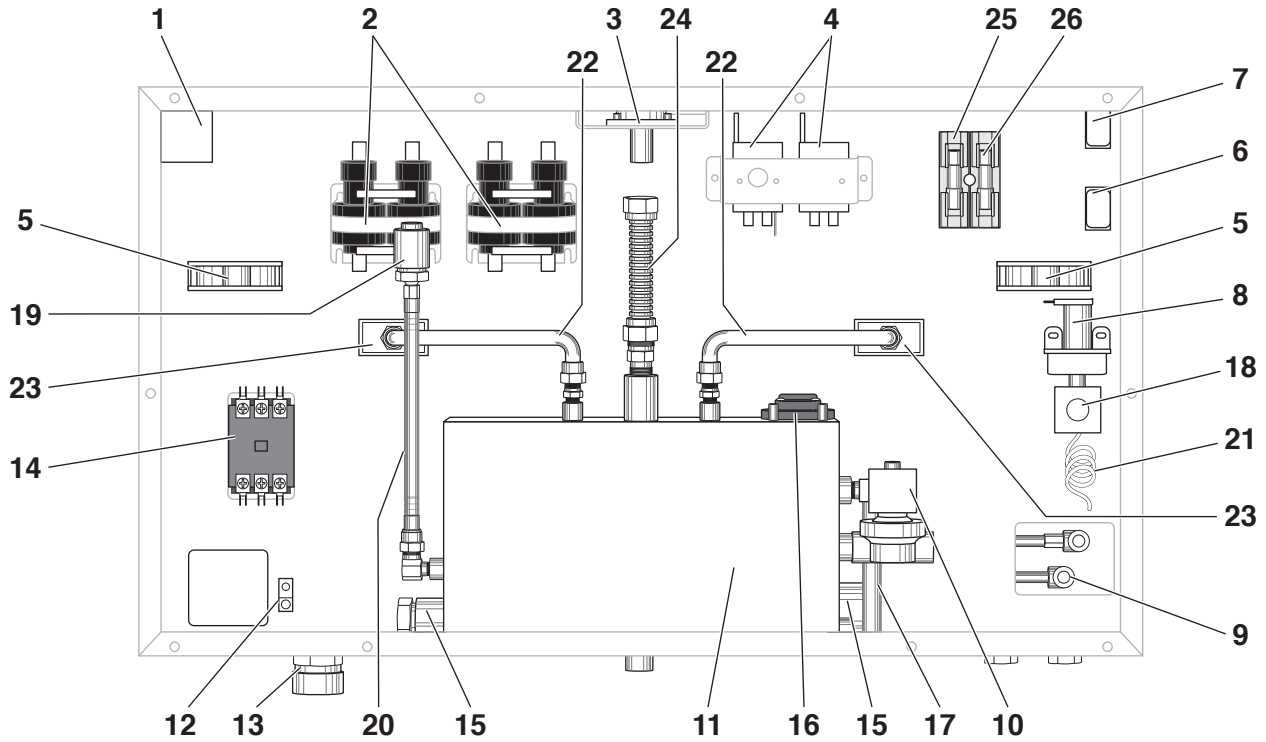


3-FOOT GRIDDLE EXPLODED TOP VIEW



ITEM	PART NO.	DESCRIPTION
1	33165	Power Head Assembly, 3-Foot Griddle (see page 4)
2	16170	Plate, Steam Generator Fill Cap
3	33195	Counterweight Assembly, Lid
4	90580	Controller, Temperature
5	90428	Heat Exchanger, 3-foot Griddle
6	16155	Skirt, Right or Left
7	16160	Bracket, Right Skirt
8	90615	Valve, Water Fill Boiler
9	33180	Skirt, Front
10	90412	Trap, Waste
11	16161	Bracket, Left Skirt
12	90416	Lid Assembly, 3-Foot Griddle (2)
13	33150	Rail. Lid Divider
14	90415	Handle, Lid (2)

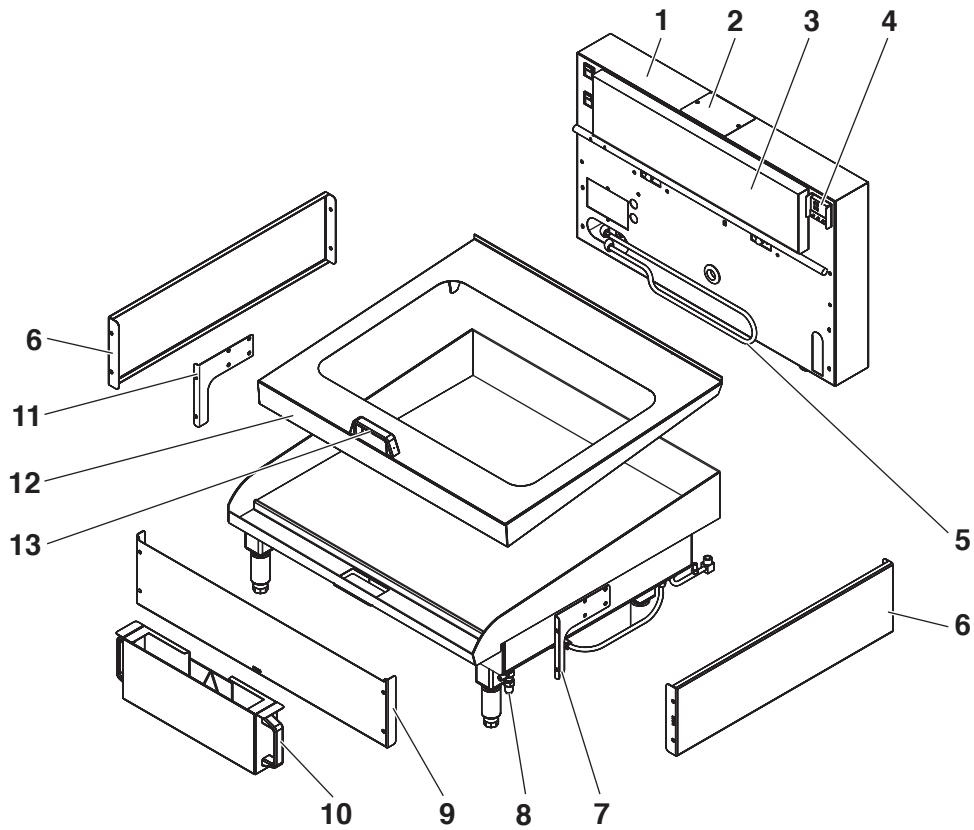
3-FOOT GRIDDLE POWER HEAD



ITEM	PART NO.	DESCRIPTION
1	90580	Controller, Temperature
2	90510	Contactora, Mercury Switch
3	90170	Fill Tube, Steam Generator
*	90725	Pressure Cap, Steam Generator
4	90440	Thermostat, Boiler & Surface High Limit
5	90887	Fan, Cooling (2)
6	90419	Switch, Steam Generator
7	90419	Switch, Power
8	91197	Solenoid, Water Fill
9	90428	Heat Exchanger (3-foot griddle)
10	90875	Solenoid, Drain
11	91163	Steam Generator (3-foot griddle)
12	90545	Lug, Ground
13	90480	Grip, Power Cord
14	90330	Terminal, Main Power
15	90830	Heater, Steam Generator (3)
16	90595	Thermostat, Steam Generator High Limit, Snap Disc
*	90596	O-Ring for 90595
17	91155	Sight Glass for Steam Generator. Marked by Strainer Fill Fitting
18	90650	Regulator, Water Pressure
19	91170	Switch, Pressure
20	91171	Tube, Pressure Switch
21	90137	Tube, Capillary
22	91293	Tube, S/S Steam (2)
23	91546	Ball Catch Assembly (2)
24	91492	Tube, Fill
25	91408	Fuse, 5 Amp (2)
26	91409	Holder, Fuse

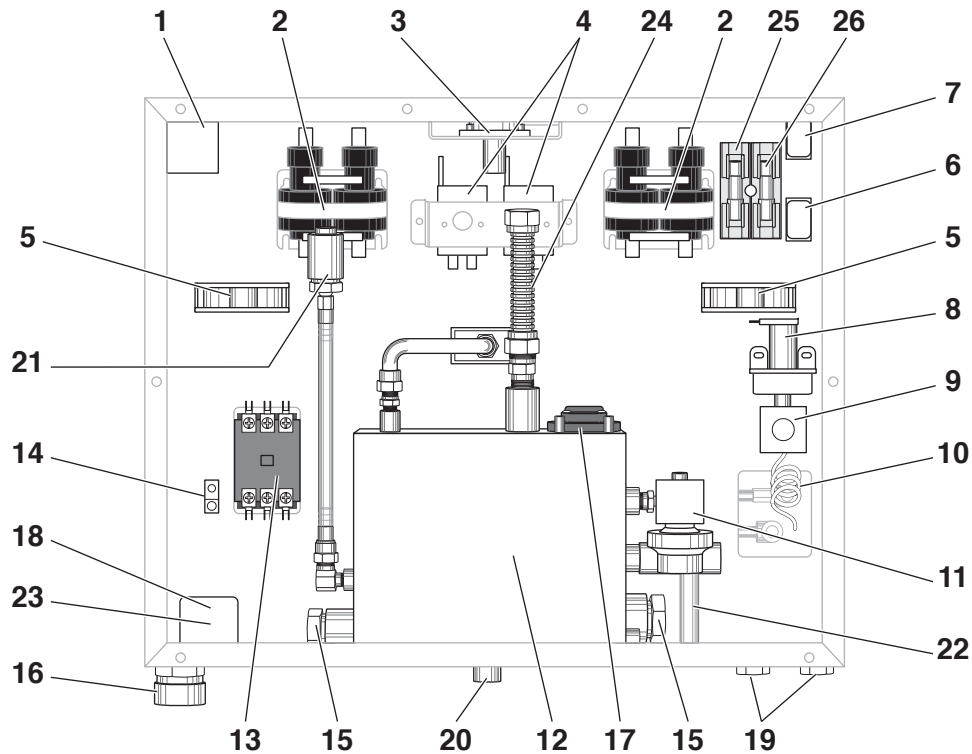
* Not shown

2-FOOT GRIDDLE EXPLODED TOP VIEW



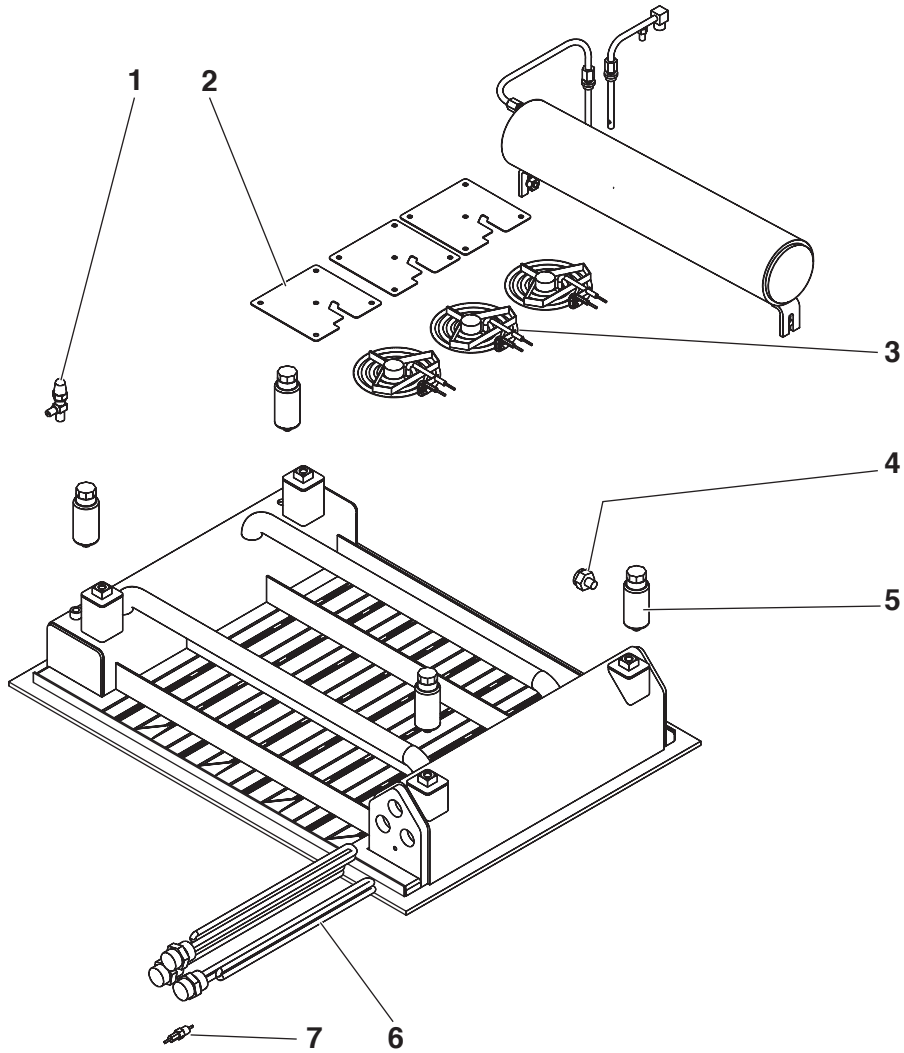
ITEM	PART NO.	DESCRIPTION
1	32055	Power Head Assembly, 2-Foot Griddle (see page 6)
2	16170	Plate, Steam Generator Fill Cap
3	32085	Counterweight Assembly, Lid
4	90520	Controller, Temperature
5	90427	Heat Exchanger, 2-foot Griddle
6	16155	Skirt, Right or Left
7	16160	Bracket, Right Skirt
8	90615	Valve, Water Fill Boiler
9	32070	Skirt, Front
10	90412	Trap, Waste
11	16161	Bracket, Left Skirt
12	90417	Lid Assembly, 2-Foot Griddle
13	90415	Handle

2-FOOT GRIDDLE POWER HEAD



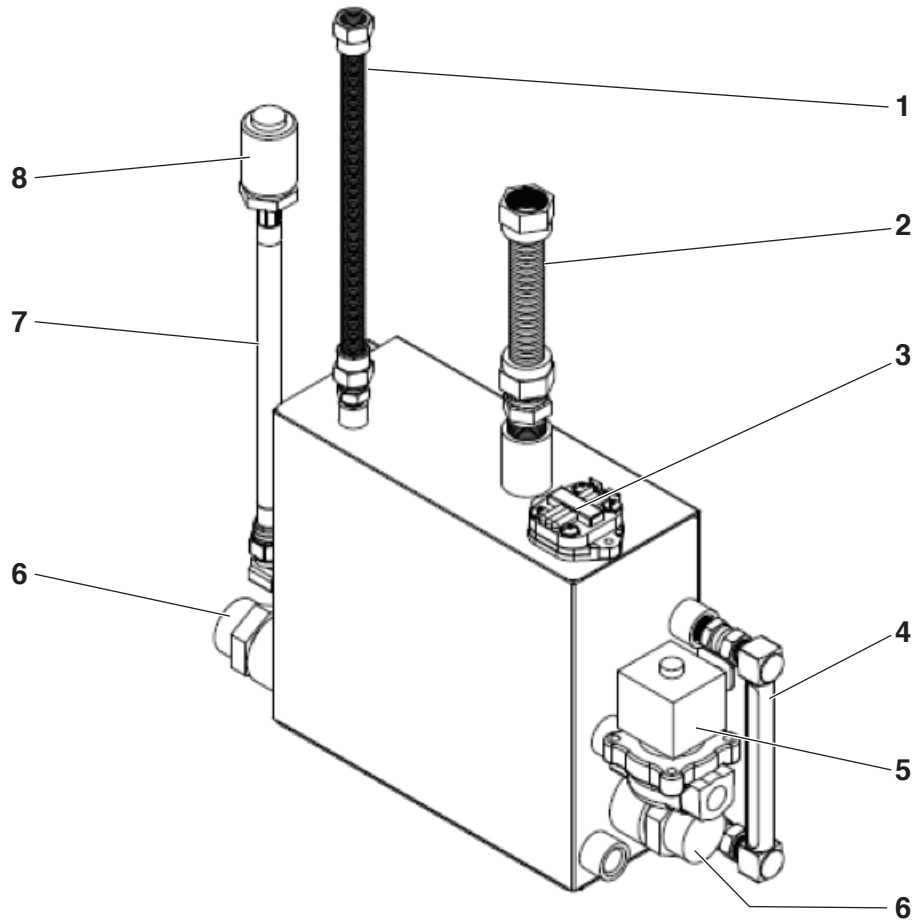
ITEM	PART NO.	DESCRIPTION
1	90580	Controller, Temperature
2	90510	Contactora, Mercury Switch (2)
3	90735	Fill Assembly, Steam Generator
4	90440	Thermostat, Boiler/ Surface High Limit (2)
5	90887	Fan, Cooling (2)
6	90485	Switch, Steam Generator
7	90485	Switch, Power
8	90115	Solenoid, Water Fill
9	90650	Regulator, Pressure
10	90137	Capillary Tube
11	90875	Solenoid, Drain
12	91162	Steam Generator, 2-foot Griddle)
13	90330	Terminal, Main Power
14	90545	Lug, Ground
15	90815	Heater, Steam Generator (3)
16	90480	Grip, Power Cord
17	90595	Thermostat, Steam Generator High Limit, Snap Disc
18	90695	Valve, Purge (see page 10)
19	90845	Fill Connector (2)
20	90657	Drain, Steam Generator
21	91150	Switch, Pressure
22	91155	Sight Tube
23	90780	Switch, High Pressure Safety (see page 10)
24	91492	Tube, Fill
25	91409	Holder, Fuse
26	91408	Fuse, 5 Amp

2- & 3-FOOT GRIDDLE BOTTOM



ITEM	PART NO.	DESCRIPTION
1	90615	Valve, Water Fill
2	33206	Plate, Retainer, Surface Heater
3	90530	Heater, Surface (3)
4	90783	Disc, Rupture
5	90410	Leg, 5" Adjustable (4)
6	90848	Heaters, Boiler, 3 foot griddle (3)
	90830	Heaters, Boiler, 2 foot griddle (3)
7	91191	Thermocouple, Boiler Temperature Sensor

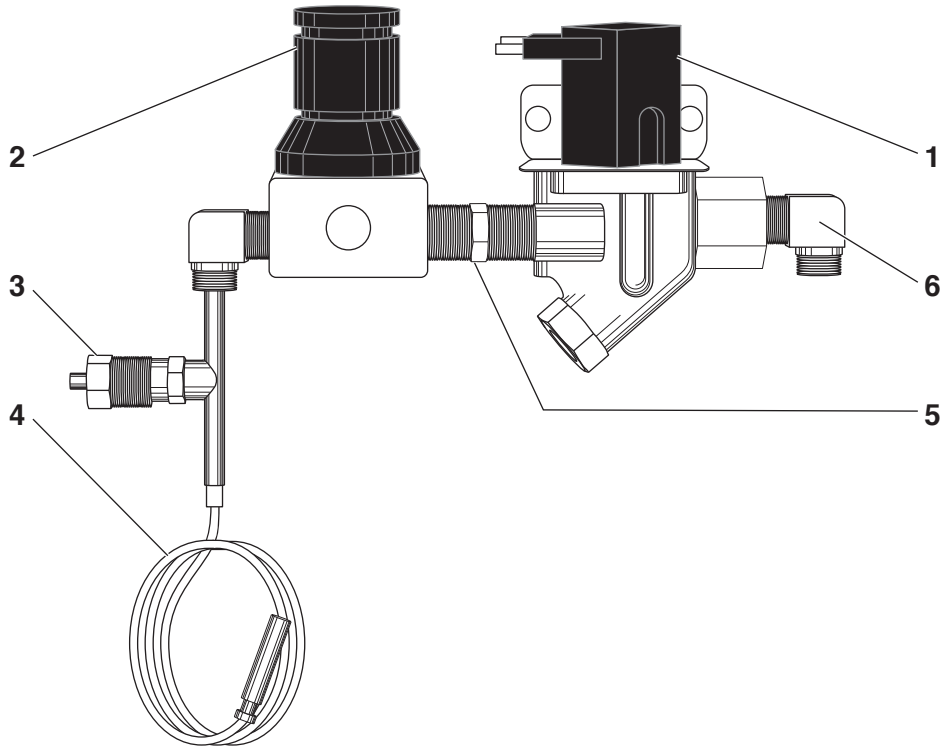
STEAM GENERATOR ASSEMBLY



ITEM	PART NO.	DESCRIPTION
1	91292	Tube, Steam
2	91492	Tube, Fill
3	90595	Thermostat, Steam Generator High Limit, Snap Disc
*	90596	O-Ring for 90595
4	91155	Sight Tube
5	90875	Solenoid, Drain
6	90815	Heater, Steam Generator (2-foot)
	90830	Heater, Steam Generator (3-foot)
7	91171	Tube, Pressure Switch
8	91150	Switch, Pressure

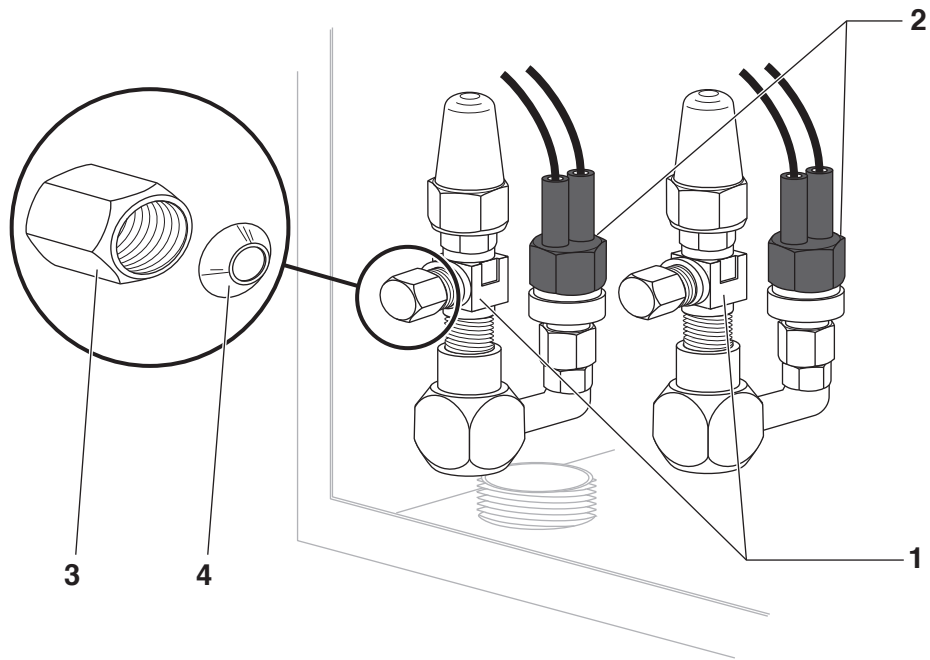
* Not shown

WATER FILL ASSEMBLY



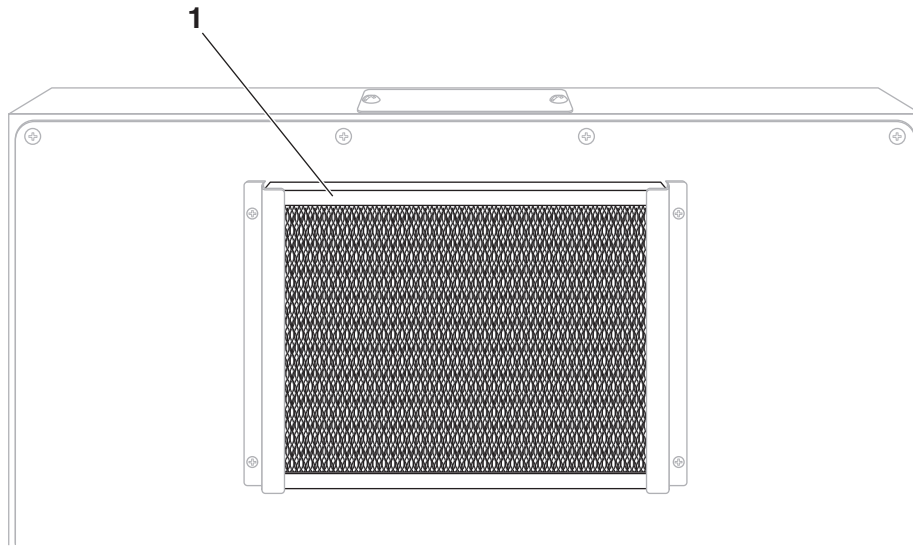
ITEM	PART NO.	DESCRIPTION
1	91197	Solenoid, Water Fill
2	90520	Pressure Regulator-Set at 20 lbs. for Steam Generator
3	90765	Schrader Valve
4	90137	Capillary, Fill Tube
5	91186	Check Valve, Water Fill
6	91187	Fitting, Compression, Brass, Water fill

PURGE VALVES & PRESSURE SWITCHES



ITEM	PART NO.	DESCRIPTION
1	90615	Purge Valve
2	90505	Switch, High Pressure Safety
3	90325	Cap
4	90326	Washer, Compression

BACK PANEL



ITEM	PART NO.	DESCRIPTION
1	90405	Filter

