



ILLUSTRATED PARTS LIST



MODELS

1200DW	1900DW	3000P
1200G	1900G	6000P
1300G	2100DW	

For additional information on Thermodyne Foodservice Products, Inc.,
or to locate an authorized parts and service provider in your area,
visit our website at www.tdyne.com.

Please visit our website to Register your Thermodyne unit. Registration ensures that you
get up-to-date warranty and product information, along with fast and convenient service.

<http://www.tdyne.com/register.aspx>

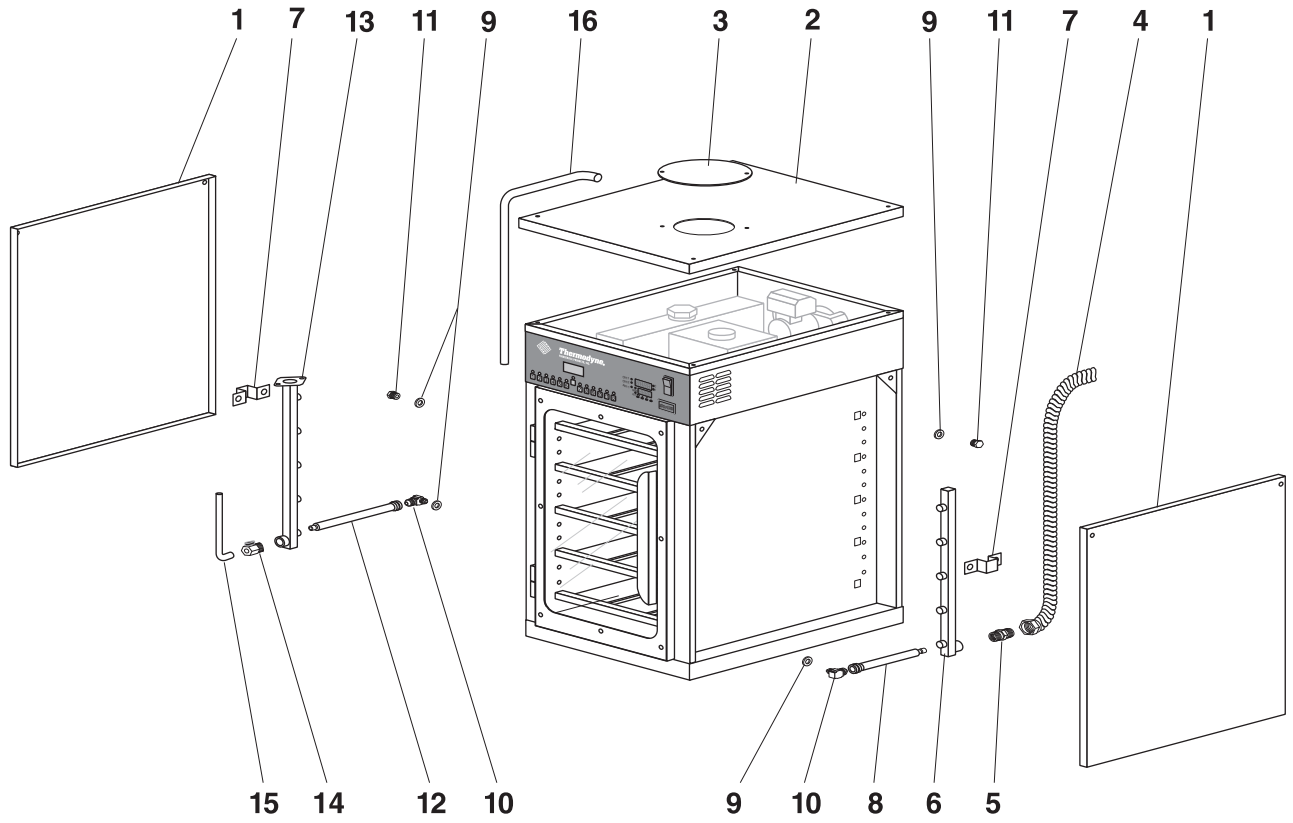
Thermodyne Foodservice Products, Inc.
4418 New Haven Avenue
Fort Wayne, IN 46803

1-800-526-9182
www.tdyne.com

MAIN CABINET COMPONENTS

ITEM	PART NO.	DESCRIPTION	QTY
1	21210	Outside Wall – 20ga SS – Insulated - 1200G	2
	21315	Outside Wall – 20ga SS – Insulated – 1300G	
	21260	Outside Wall – 20ga SS – Insulated – 1200DW	
	29180	Outside Wall – 20ga SS – Insulated – 1900DW	
	21201	Outside Wall – 20ga SS – Insulated – 2100DW	
	21910	Outside Wall - 20ga SS - Insulated - 1900G	
	60430	Outside Wall - 20ga SS - Insulated - 3000P, 6000P	
2	11255	Power Head Lid – 20ga SS – 1200G, 1900G, 1300G	1
	29120	Power Head Lid – 20ga SS – 1200DW & 1900DW	
	21130	Power Head Lid – 20ga SS – 2100DW	
	61110	Power Head Lid – 20ga SS – 3000P	
	60110	Power Head Lid - 20ga SS - 6000P	
3	10115	Fill Cap Cover – 20GA SS	1
4	91415	Delivery Line - 60" SS Dormont Hose – 1900G, 1300G, 1900DW	1
	91375	Delivery Line - 48" SS Dormont Hose – 1200G, 1200DW	
	91495	Delivery Line - 72" SS Dormont Hose – 2100DW, 3000 & 6000P	
5	90658	.75 NPT - .5 Propane Nipple	1
6	31600	Delivery Manifold – 1300G	1
	21224	Delivery Manifold – 1200G, 1200DW	
	21932	21932 - Delivery Manifold - 1900G, 1900DW	
	21930	Delivery Manifold – 2100DW	
	60435	Delivery Manifold – 3000 & 6000P	
7	10190	Manifold Bracket	2
8	91321	Short Teflon Hose	A/R
9	91185	Teflon Washers	A/R
10	91335	Shelf Elbows	A/R
11	90445	Shelf Plug & Manifold Plug	A/R
12	91322	Long Teflon Hose	A/R
13	31605	Return Manifold – 1300G	1
	21225	Return Manifold – 1200G & 1200DW	
	21933	Return Manifold – 1900G & 1900DW	
	21935	Return Manifold - 2100DW	
	60440	Return Manifold – 3000 & 6000P	
14	91290	.375 ON/OFF Valve – Drain Tube	1
15	90324	Drain Tube	1
16	91320	Overflow Tube from Reservoir Tank	1
Not Shown	90775	Return Line Gasket	1

MAIN CABINET EXPLODED VIEW



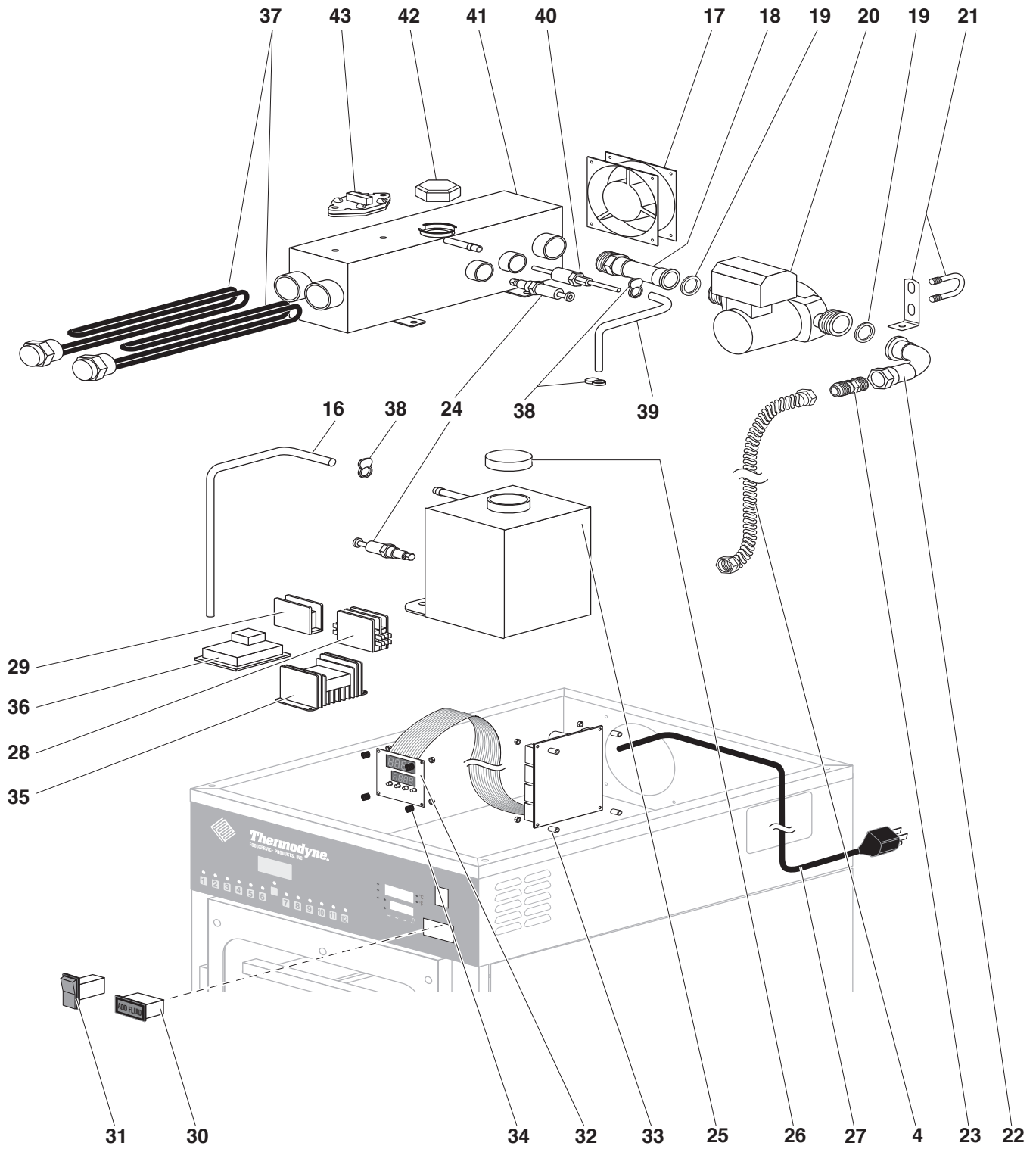
Exploded View (Model 300 shown)

POWER HEAD COMPONENTS

ITEM	PART NO.	DESCRIPTION	QTY
17	90656 90872	120 VAC Cooling Fan 230 VAC Cooling Fan – 3000 & 6000P	1
18	90629 90632	Heater Tank to Pump Copper Extension Union Heater Tank to Pump Copper Extension Union – 300OC	1
19	90659	Pump Gasket	2
20	90660 90665	120 VAC B&G Pump 240 VAC 60 Hz B & G Pump – 3000 & 6000P	1
21	90675	Pump Bracket & U-Bolt`	1
22	90631 *90630	Pump to Delivery Line Extension with 90° Union – 3000P Pump to Delivery Line Extension with 90° Union – 300OC	1
23	90658	3/4 SAE Nipple	1
24	91535	Auburn Fluid Level Probes	2
25	13400	Reservoir Tank	1
26	91140	Reservoir Tank Cap – SS	1
27	90915 91122	120/208-240 VAC 10/4 Cord w/ Molded Plug – 1200, 1300 & 1900G, 1200, 1900 & 2100DW 208-240 VAC 8/3 Cord w/ Molded Plug – 3000 & 6000P	1
28	90655 91158 90870	120 – 240 VAC Contactor – 1200, 1300 & 1900G, 1200, 1900 & 2100DW 240 – 240 VAC Contactor – 3000P 240 – 240 VAC Contactor – 6000P	1
29	90545	Neutral Lug	1
30	91505 91510	120 VAC Add Fluid Light – 1200 & 1300G 240 VAC Add Fluid Light – 3000 & 6000P	1
31	90136 90780	Illuminated Rocker Switch Universal Rocker Switch – 3000 & 6000P	1
32	90588	Temperature Controller – B41	1
33	91707	Plastic Spacer	4
34	91709	Spring	4
35	90910	Solid State Relay	1
36	90681 90871	120VAC Float Board 210 VAC Float Board – 3000 & 6000P	1
37	90830	240VAC, 3500W Heaters	A/R
38	90178	Black Kwik Clamps for Silicon Hose	3
39	91320	Heater Tank to Reservoir Tank Overflow Tube	1
40	91191	Thermocouple	1
41	12500 12502 12503	Heater Tank Heater Tank – 6000P Heater Tank – 300OC	1
42	90705	16 PSI Pressure Cap	1
43	90865	Snap Disc	1
Not Shown	91525	Add Fluid Light Cover	1
Not Shown	90316	Thermocouple Compression Fitting	1
Not Shown	90395	Heat Transfer Fluid	A/R

*When ordering 90630 specify Straight or 90° Union.

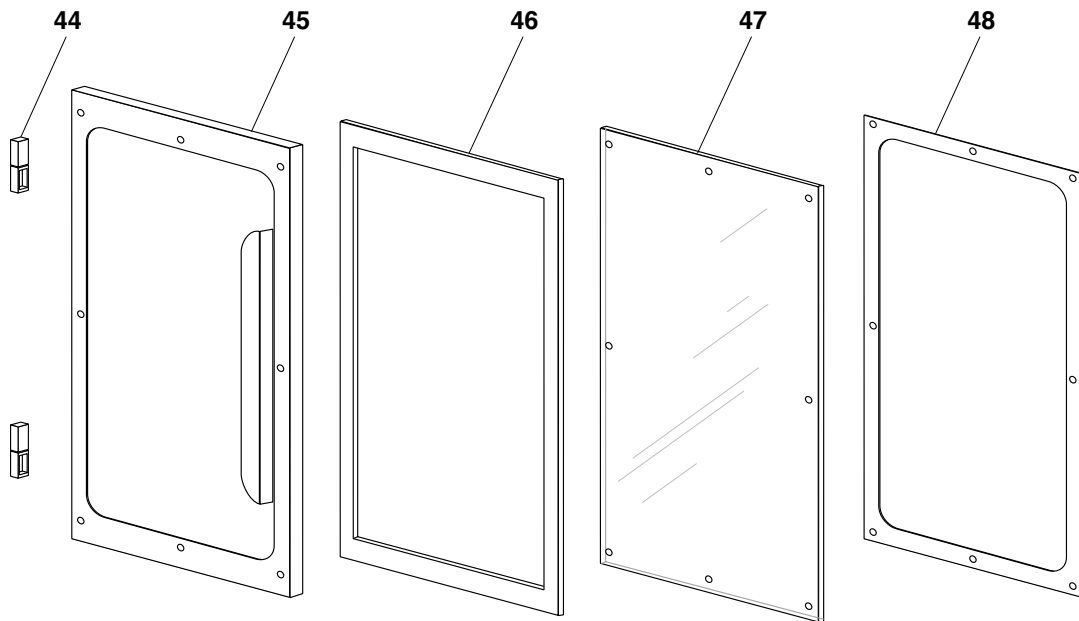
POWER HEAD EXPLODED VIEW



Power Head Exploded View (Model 300 shown)

CT, DW & P MODEL DOOR COMPONENTS

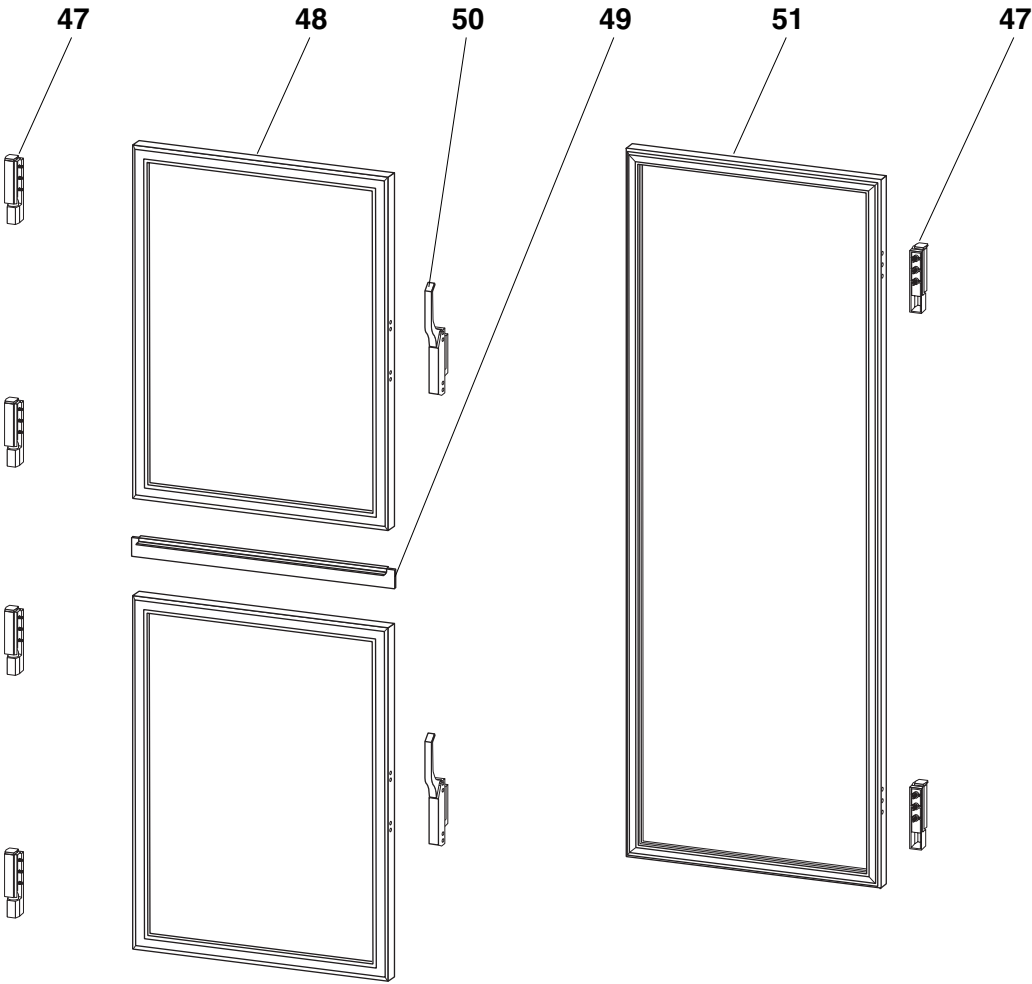
ITEM	PART NO.	DESCRIPTION	QTY
42	90485	Lift Off Hinge – CT Style Male & Female as Set	A/R
43	29240-1 21230-1 69344-1 69345-1 69242-1 69243-1	Outside Door Skin – 1200 & 1900DW Outside Door Skin – 2100DW Top Outside Door Skin – 3000P Bottom Outside Door Skin – 3000P Top Outside Door Skin – 6000P Bottom Outside Door Skin – 6000P	A/R
44	90261 90262 90263	Door Gasket – 1200 & 1900DW Door Gasket – 3000 & 6000P Door Gasket – 2100DW	A/R
45	90385 90386 90387 90388 90389 90393	Door Glass – 1200 & 1900DW Top Door Glass – 3000P Bottom Door Glass – 3000P Top Door Glass – 6000P Bottom Door Glass – 6000P Door Glass – 700CT & 1200DW	A/R
46	19240-2 21230-2 69344-2 69345-2 69242-2 69243-2	Inside Door Skin – 1200 & 1900DW Inside Door Skin – 2100DW Top Inside Door Skin – 3000P Bottom Inside Door Skin – 3000P Top Inside Door Skin – 6000P Bottom Inside Door Skin – 6000P	A/R



DW & P Model Door Components

G MODEL DOOR COMPONENTS

ITEM	PART NO.	DESCRIPTION	QTY
47	90285	Door Hinge Bracket, Cover and Plate	A/R
48	90237	Half Size Anthony Door – 1200 & 1900G	2
49	90287	Door Sweep – 1200 & 1900G	1
50	90425	Door Handle w/Latch -	A/R
51	90296 90243	Full Size Anthony Glass Door – 1300G Full Size Anthony Door – 1900G	A/R



G Model Door Components

